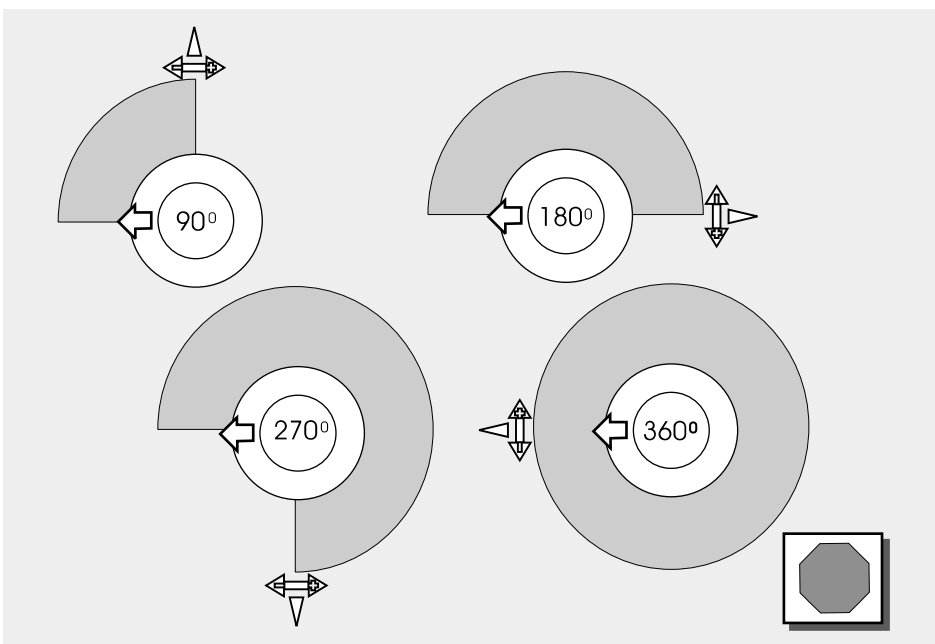
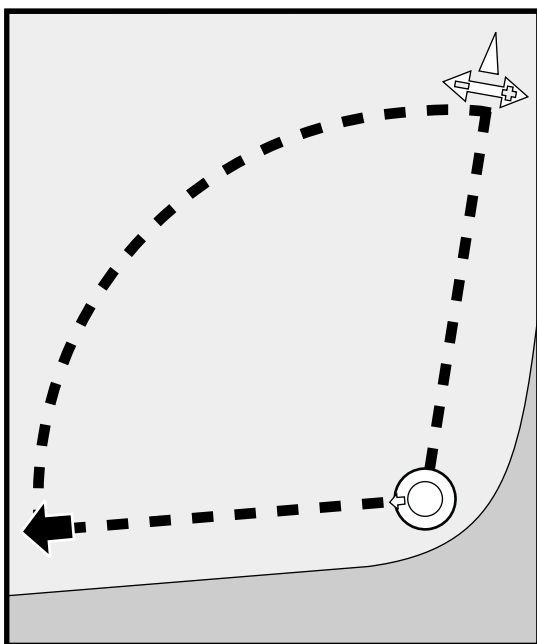
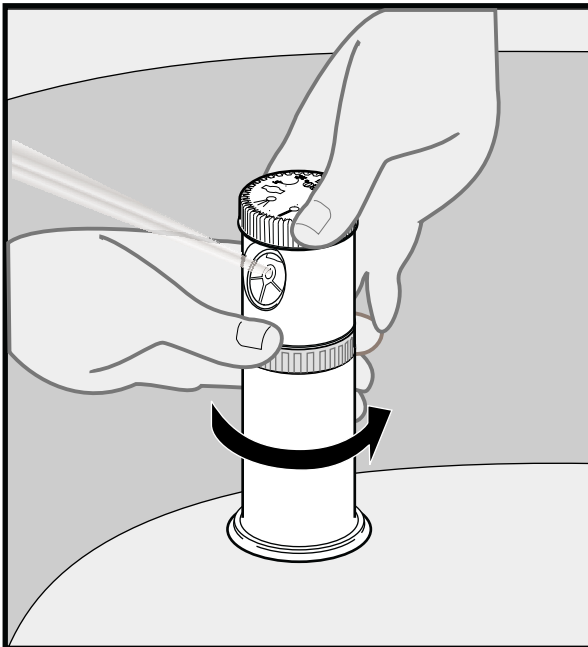
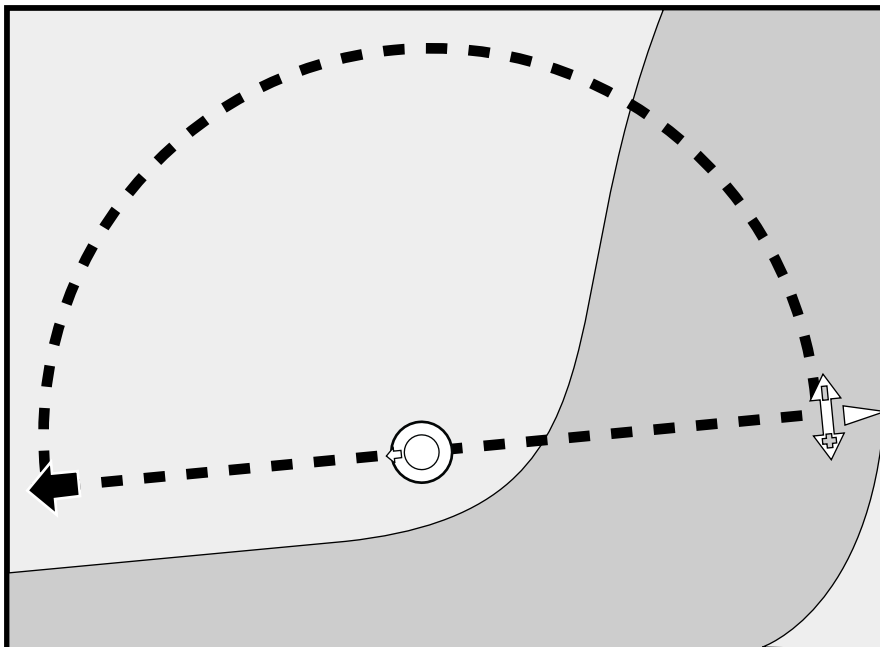
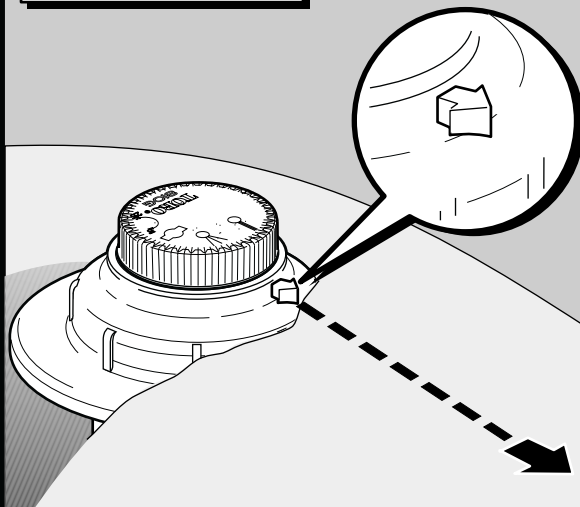
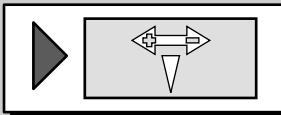
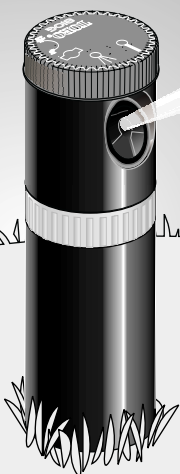
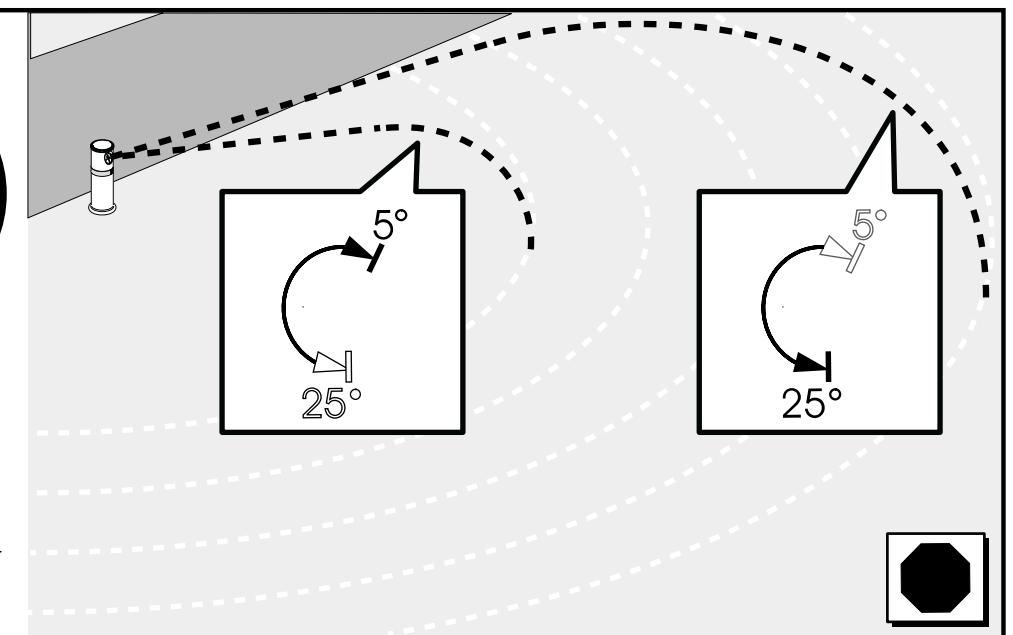
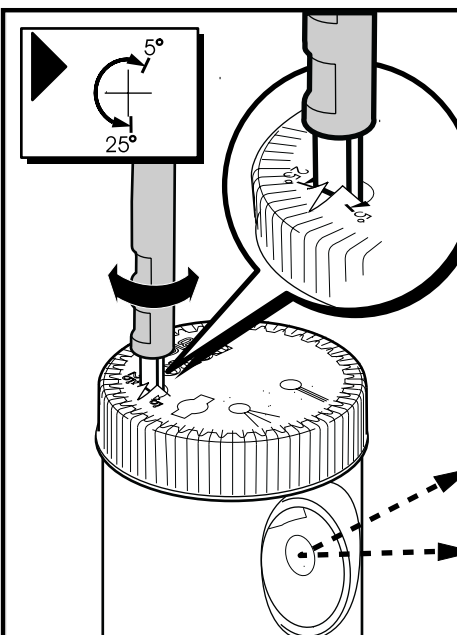
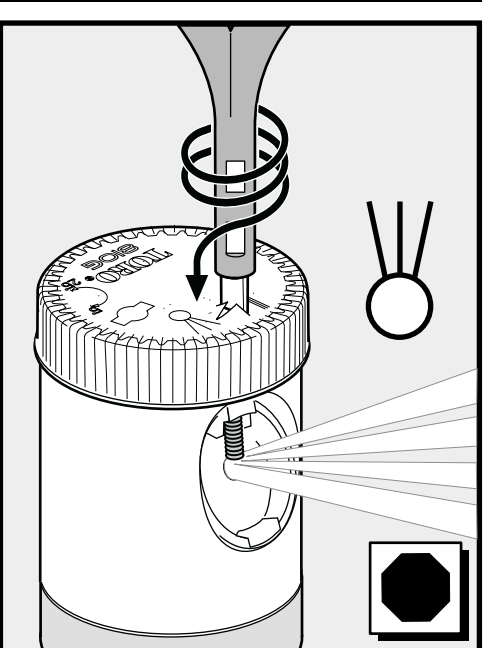
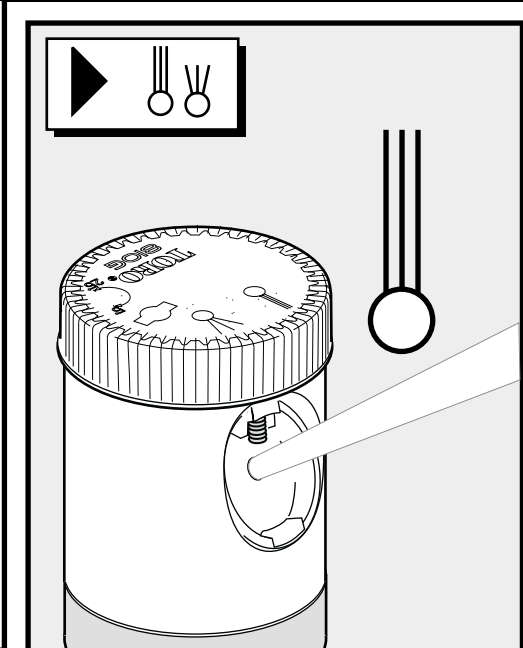
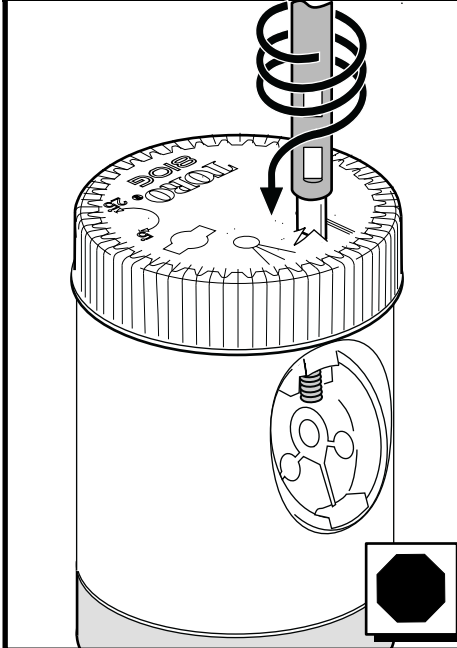
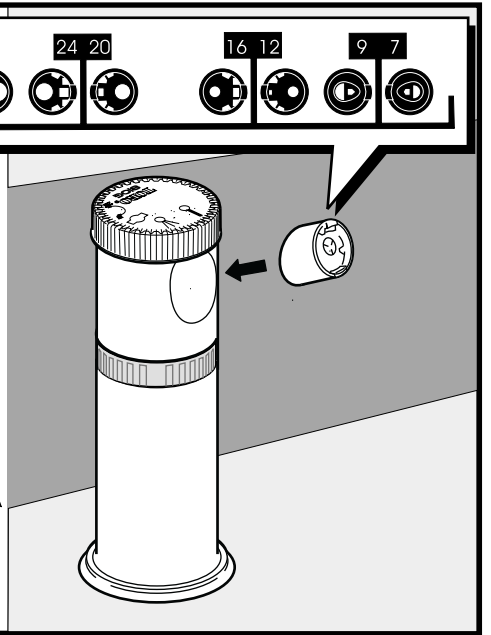
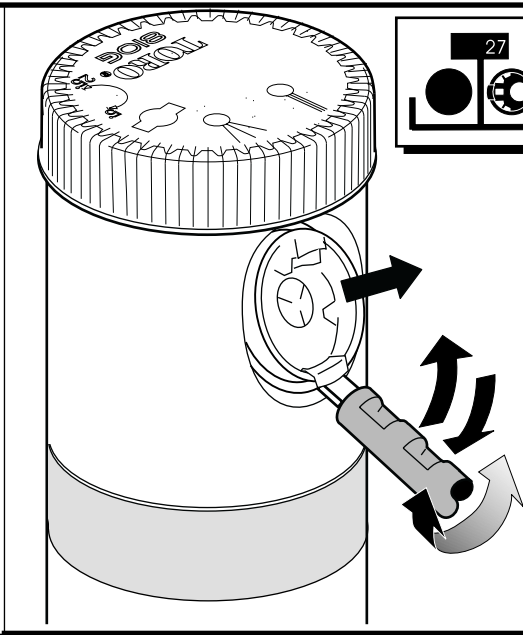
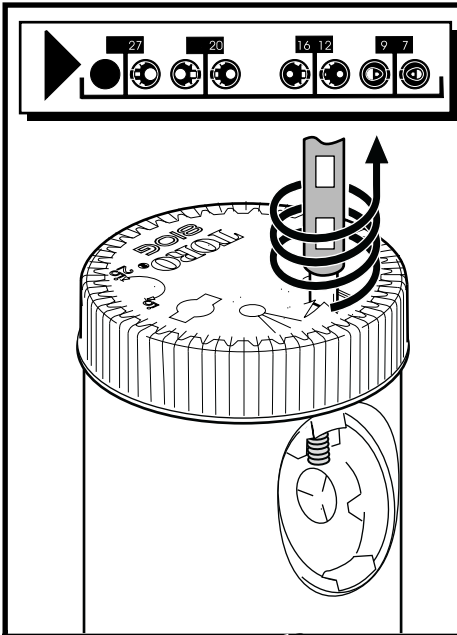


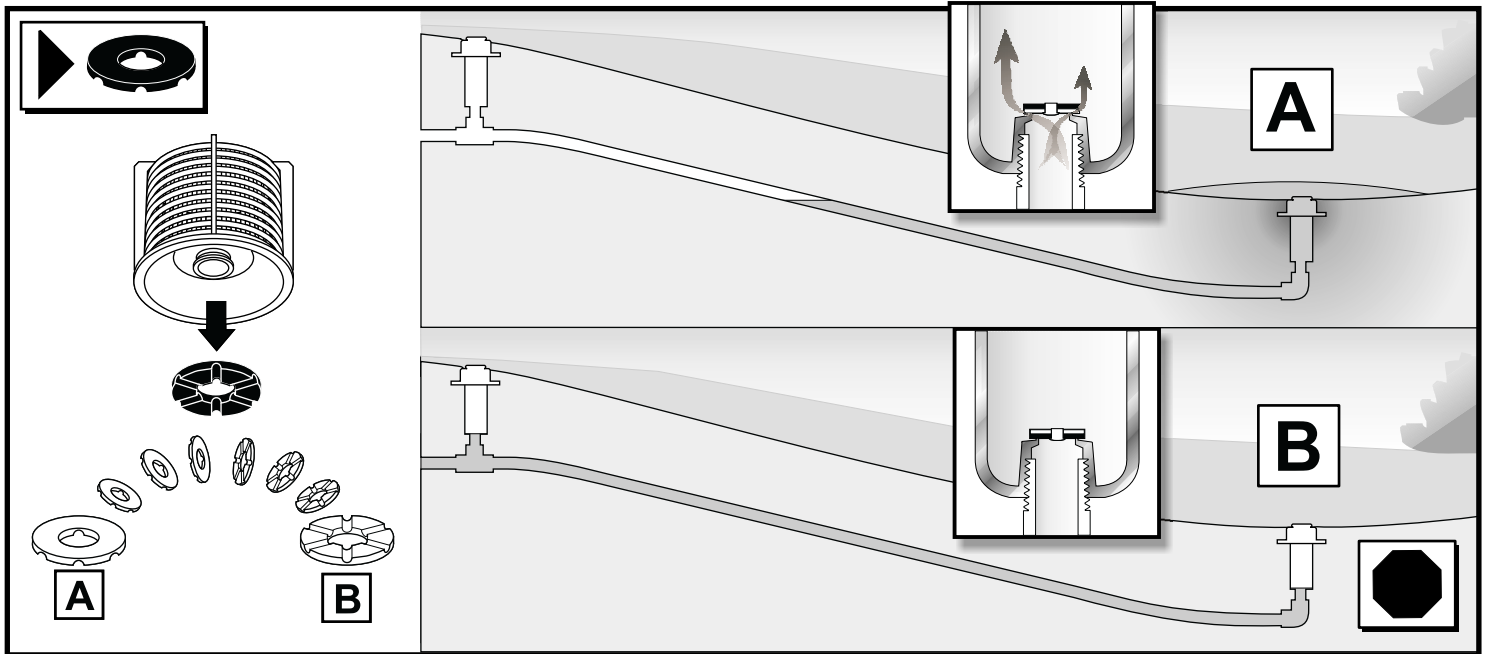
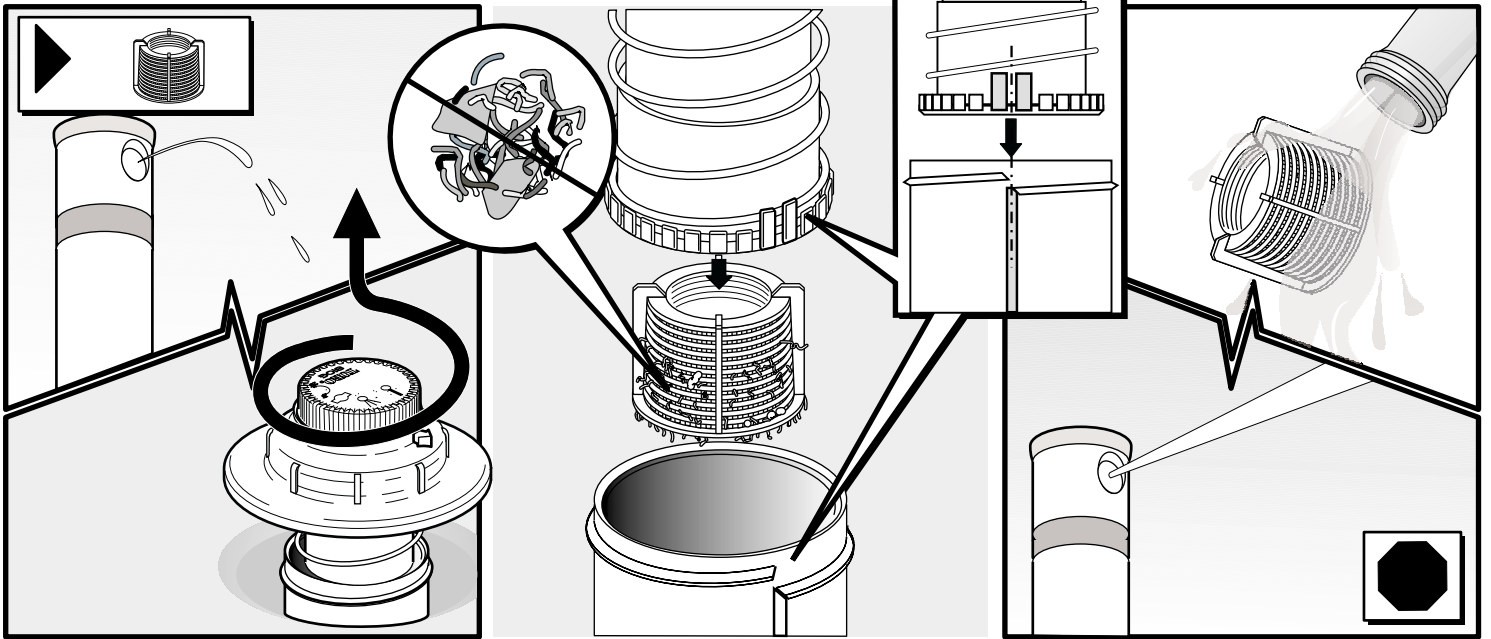
TORO

Count on it.

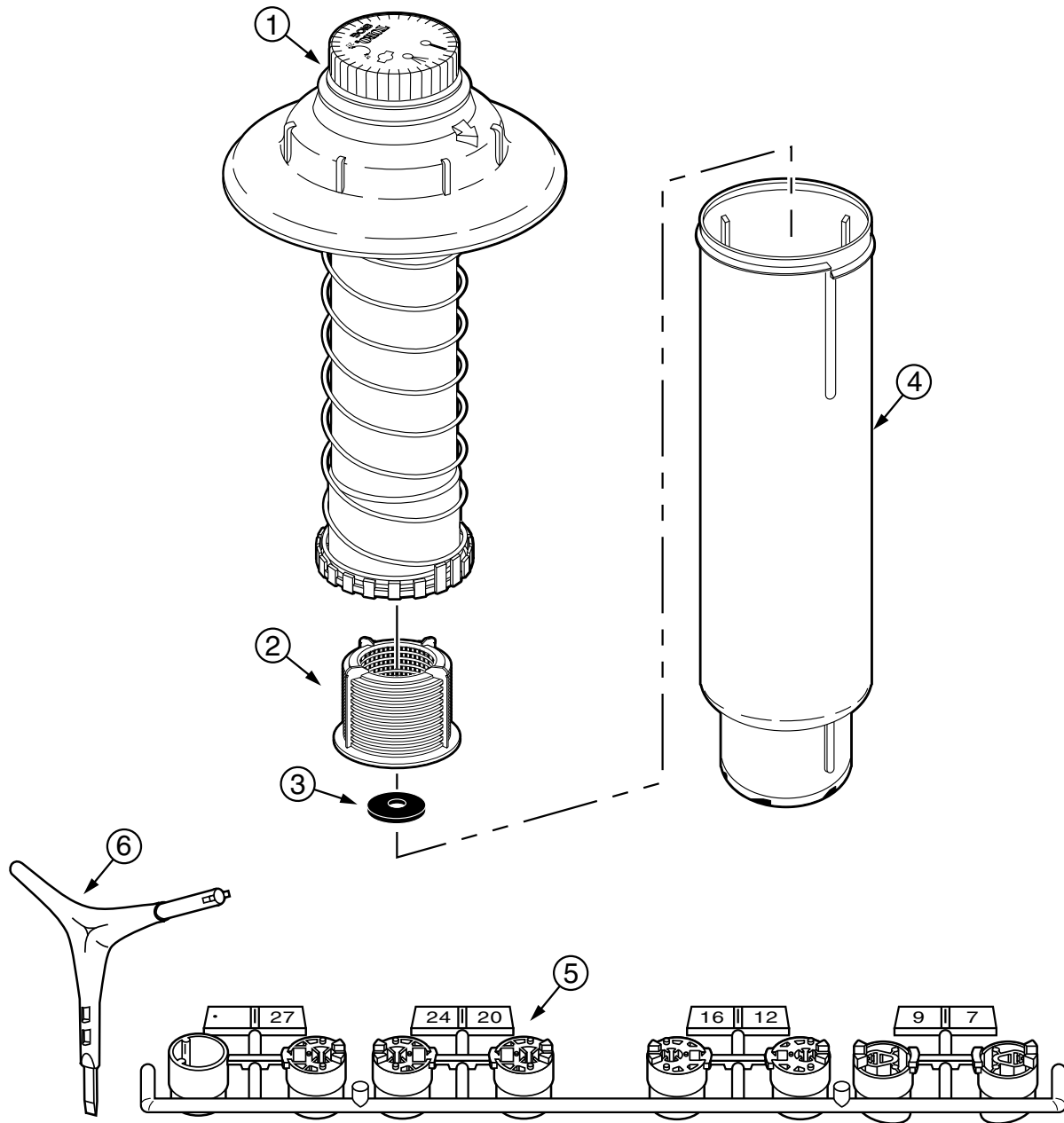
810G™







810G Series Sprinkler



Item No.	Part No.	Description	Quantity Per Assy.
1	*- - - -	Riser Assy. w/Cap	1
2	89-9182	Screen	1
3	89-9183	Check Valve	1
4	102-3039	Body Assy, Service, NPT	1
4	102-3040	Body Assy, Service, BSP	1
4	102-3041	Body Assy, Service, ACME	1
5	102-2633	Nozzle Tree	1
6	102-1303	Tool, Adjustment	1
<p>* Not sold as separate service assembly. Order complete sprinkler through Finished Goods Distribution System - Minneapolis</p>			